

# Kwikstrut QFX

## Cross connector



### Functions and advantages

- Easy installation and adjustment
- Fewer individual parts
- Single-handed overhead installation possible
- Corrosion resistant
- Certified and authorised
- Made in Germany

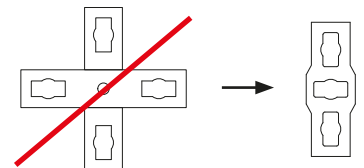
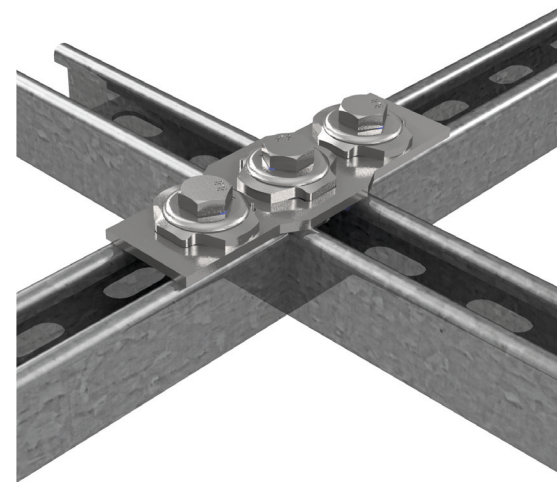
The Kwikstrut cross connector appears in a new, improved design

### Cross connector

As with the previous model, cross connections on mounting rails can be assembled quickly and safely with the new QFX.

The reduction of the cross connector ensures simplified handling at the same time as saving space in the case of projects with limited free installation space.

With the new design of the Kwikstrut QFX, only three installation buttons (QFNH) are needed, providing a massive saving on material use and installation time. The new QFX cross connector is available in three different designs and can be used both indoors and outdoors.



Precision  
Quality  
Innovation  
Control

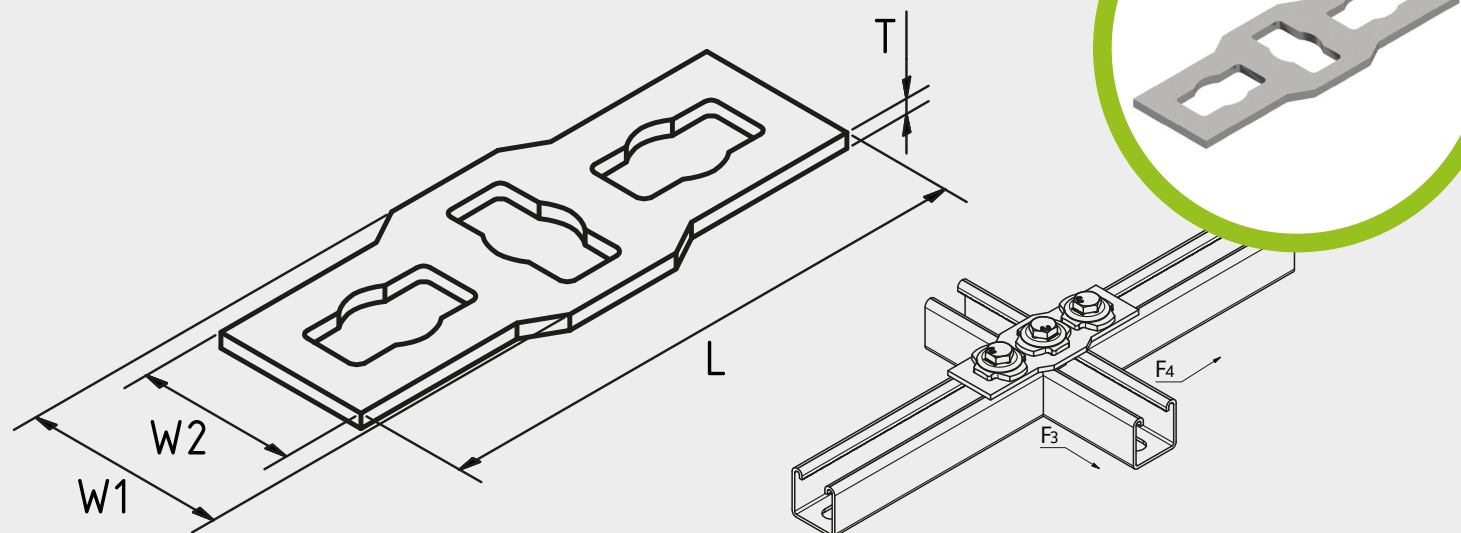


Made in  
Germany

KWIKSTRUT® metal framing & pipe supports offer complete solutions for the installation and fixing of pipeline systems. KWIKSTRUT® allows a reduction of installation time and project costs in the broadest range of industrial and commercial applications.

# Kwikstrut QFX

Cross connector



## Technical specifications

### Material

QFX: DD11 – EN 10111; electro zinc plated DIN 50979:2008-07 – Fe//Zn8//An//T0

QFX-HDG: DD11 – EN 10111; Delta Tone – EN ISO 9227:2017-07 NSS > 480 h

QFX-SS: Stainless steel A4 – 1.4404/1.4571 – EN 10088

Type	Article no.	Dimensions (mm)				Max permit load		Weight (kg)	PU
		L	W1	W2	T	F3	F4		
QFX	1395920	142	52	41	4	3 kN	3 kN	0,137	50
QFX-HDG	1395960	142	52	41	4	3 kN	3 kN	0,137	50
QFX-SS	1357006	142	52	41	4	3 kN	3 kN	0,140	50

### Technical service

Phone: +49 4131 301 15 00  
 kundenservice-wopf@tyco-bspd.com  
[www.Kwikstrut.com](http://www.Kwikstrut.com)

Do you have questions about this product?

Do you need technical support?

Please contact your regional office or customer service of the WOPF manufacturer.



Made in Germany